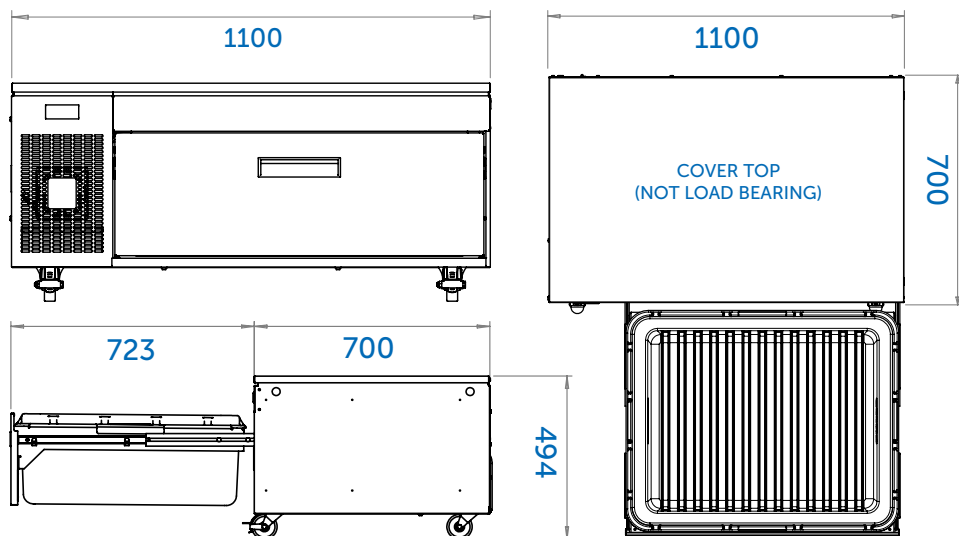


Dimensions | Elevation & Plan View



Fridge to Freezer.
Each drawer is switchable in minutes. Accurate and stable at any temperature.
(-22°C to +15°C)



Storage Capacity Per Drawer
4 x 1/1 GN Pans
100 mm Deep
or equivalent



VCS2 - Two Drawer Side Engine

Single and two drawer units for non load-bearing under-counter and cookline applications.

Drawer units can be supplied with a variety of castors and rollers to achieve specific heights to roll under existing counters or ranges.

For very hot applications, an air gap of at least 50 mm is required between the Adande® top and the underside of the counter or range.

Dimensions for VCS1/CT

OPTIONS

Top and Base | Worktops and Castors

Code	Type	Height TTS	Wt. Loading
VCS1/HCT	HIGH CASTORS	565 mm	0 kg
VCS1/CT	STANDARD CASTORS	494 mm	0 kg
VCS1/SCT	SMALL CASTORS	473 mm	0 kg
VCS1/RT	ROLLERS & FEET	450 mm	0 kg
VCS1/SRT	SMALL ROLLERS & FEET	440 mm	0 kg
VCS1/FFT	FIXED FRAME	590-900 mm	0 kg
VCS1/MFT	MOBILE FRAME	590-900mm	0 kg
BC	BLAST CHILL AVAILABLE ON ALL UNITS ABOVE		
R2	HYDROCARBON OPTION AVAILABLE ON ALL UNITS ABOVE		

Code	Type	Height TTS	Wt. Loading
VCS2/CT	STANDARD CASTORS	891 mm	0 kg
VCS2/SCT	SMALL CASTORS	870 mm	0 kg
VCS2/RT	ROLLERS & FEET	847 mm	0 kg
VCS2/SRT	SMALL ROLLERS & FEET	837 mm	0 kg
BC	BLAST CHILL AVAILABLE ON ALL UNITS ABOVE		
R2	HYDROCARBON OPTION AVAILABLE ON ALL UNITS ABOVE		

CLIMATE TESTING: Tested to Climate Class 4 (30°C and 55% relative humidity) for temperature and energy consumption

Tested to Climate Class 5 (40°C and 40% relative humidity) for temperature

MAINS: 230 Vac 50 Hz also 60 Hz available

Applications

- Meat and fish storage
- Deli and larder storage
- Pastry and pasta storage
- Dessert storage
- Point of use bulk storage

Operational Benefits

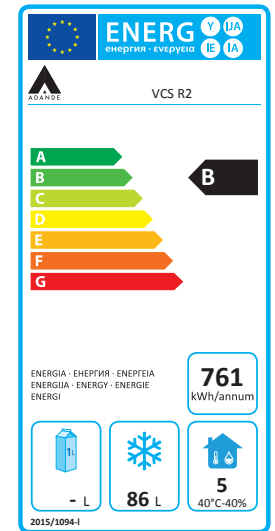
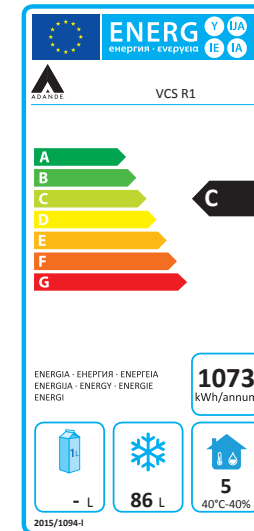
- Reliable: amazing temperature stability
- Green: extremely energy efficient
- Cuts food wastage
 - Food does not dehydrate
 - No freezer burn or ice crystals
 - No condensation on the food
- Ergonomically efficient
- Minimal maintenance costs
- Quick and easy to clean
- Robust and reliable

ADANDE® Under Counter Units (VCS)



VCS R1
R404A

VCS R2
R600a



Energy rating per drawer module

Tested independently!

The new EU Eco Design regulation will ensure that newly produced professional refrigerators and freezers will have to fulfil minimum energy efficiency requirements as of 1st July 2016. This will make understanding energy efficiency much simpler for consumers and will accelerate the growing shift in the market toward sourcing more energy efficient products