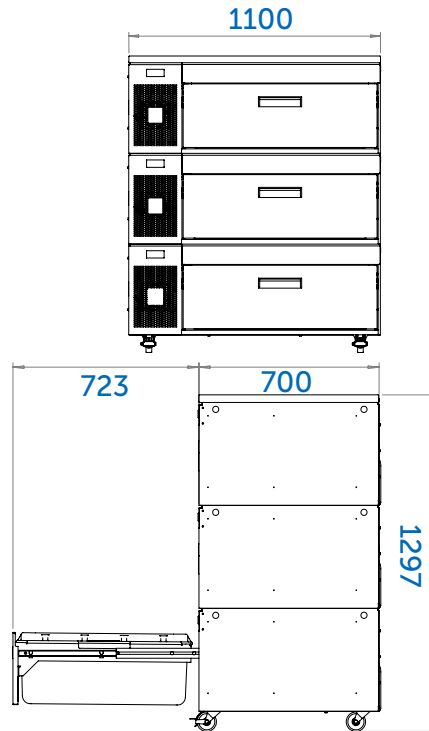
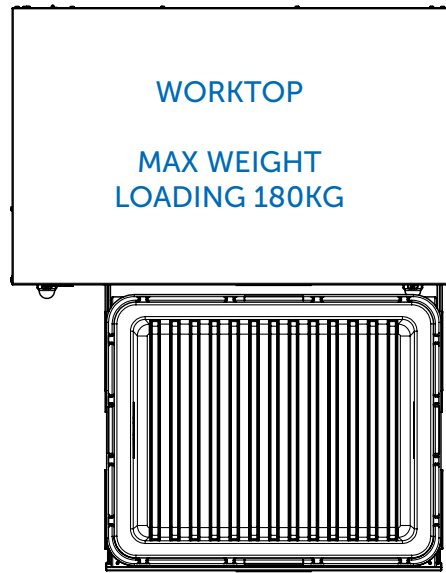


Dimensions | Elevation & Plan View



Fridge to Freezer.
Each drawer is switchable in minutes. Accurate and stable at any temperature. (-22°C to +15°C)



Storage Capacity Per Drawer
4 x 1/1 GN Pans
100 mm Deep
or equivalent



Three Drawer units are an ergonomic alternative to the traditional upright or wall cabinet, being ideal for chilled or frozen bulk food storage - available with non load bearing cover tops (T) or load bearing, solid worktops (W)

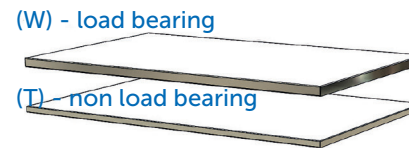
The insulated drawers are easy to lift out for cleaning when empty

Dimensions for VCS3/CW

OPTIONS

Top and Base | Worktops and Castors

Remember to see our Drawer Management options!
Helps arrange and store ingredients to suit operational and menu requirements



	Standard Castors	
Finished Height & Load Bearing Weight with Worktop (W)	1297 mm 180 kg	VCS3/CW
Finished Height & Load Bearing Weight with Cover Top (T)	1288 mm 0 kg	VCS3/CT
	(R1) REFRIGERANT R404A	
	(R2) REFRIGERANT R600a	
	(BC) BLAST CHILL AVAILABLE	

CLIMATE TESTING: Tested to Climate Class 4 (30°C and 55% relative humidity) for temperature and energy consumption
Tested to Climate Class 5 (40°C and 40% relative humidity) for temperature
MAINS: 230 Vac 50 Hz also 60 Hz available

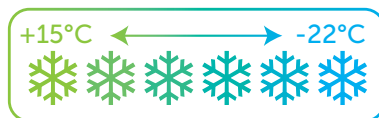
Applications

- Meat and fish storage
- Deli and larder storage
- Pastry and pasta storage
- Dessert storage
- Point of use bulk storage

Operational Benefits

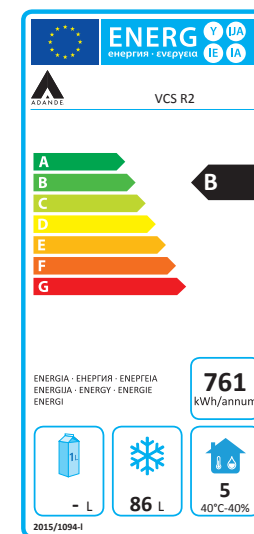
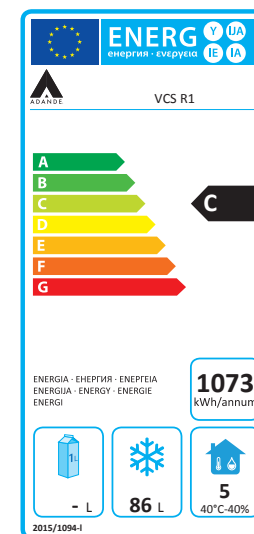
- Reliable: amazing temperature stability
- Green: extremely energy efficient
- Cuts food wastage
 - Food does not dehydrate
 - No freezer burn or ice crystals
 - No condensation on the food
- Ergonomically efficient
- Minimal maintenance costs
- Quick and easy to clean
- Robust and reliable

ADANDE® Three Drawer (VCS)



VCS R1
R404A

VCS R2
R600a



Energy rating per drawer module

The new EU Eco Design regulation will ensure that newly produced professional refrigerators and freezers will have to fulfil minimum energy efficiency requirements as of 1st July 2016. This will make understanding energy efficiency much simpler for consumers and will accelerate the growing shift in the market toward sourcing more energy efficient products