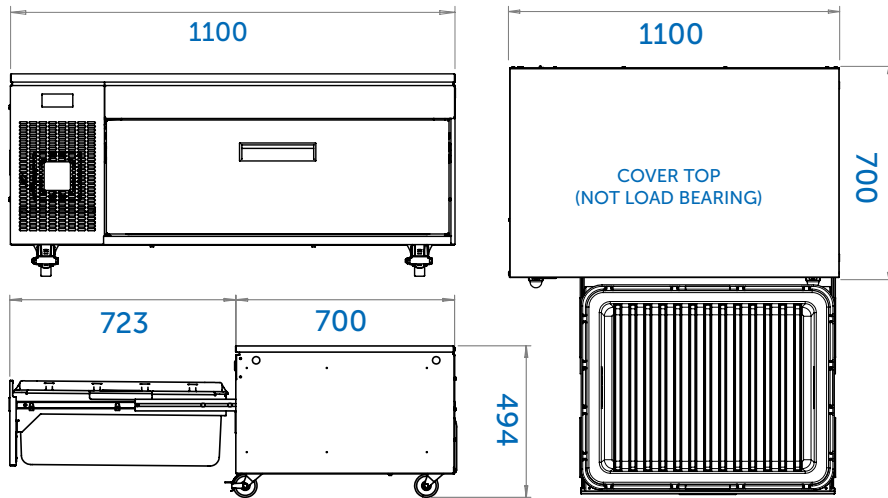


Dimensions | Elevation & Plan View



Dimensions for **VCS1/CT**

Fridge to Freezer.
Each drawer is switchable in minutes. Accurate and stable at any temperature.
(-22°C to +15°C)



Storage Capacity Per Drawer
4 x 1/1 GN Pans
100 mm Deep or equivalent

Adande Drawers are Modular!
Stack 2 or even 3 high
(Contact us to find out more)



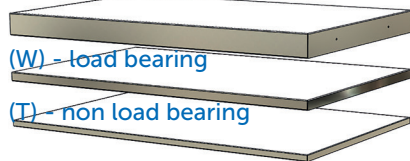
VCS2

VCS3

OPTIONS

Top and Base | Worktops and Castors

(HS) - protects unit tops exposed to temperatures up to 200°C



	High Castors		Standard Castors		Small Castors		Locking Roller Base		Small Locking Rollers	
Finished Height & Load Bearing Weight with Heat Shield (HS)	616 mm	VCS1/HCHS	545 mm	VCS1/CHS	n/a	-	501 mm	VCS1/RHS	491 mm	VCS1/SRHS
	235 kg		300 kg		n/a	-	285 kg		285 kg	
Finished Height & Load Bearing Weight with Worktop (W)	574 mm	VCS1/HCW	503 mm	VCS1/CW	482 mm	VCS1/SCW	459 mm	VCS1/RW	449 mm	VCS1/SRW
	235 kg		300 kg		50 kg		285 kg		285 kg	
Finished Height & Load Bearing Weight with Cover Top (T)	565 mm	VCS1/HCT	494 mm	VCS1/CT	473 mm	VCS1/SCT	450 mm	VCS1/RT	440 mm	VCS1/SRT
	0 kg		0 kg		0 kg		0 kg		0 kg	
(R1) REFRIGERANT R404A										
(R2) REFRIGERANT R600a										
(BC) BLAST CHILL AVAILABLE										

CLIMATE TESTING: Tested to Climate Class 4 (30°C and 55% relative humidity) for temperature and energy consumption

Tested to Climate Class 5 (40°C and 40% relative humidity) for temperature

MAINS: 230 Vac 50 Hz also 60 Hz available

Applications

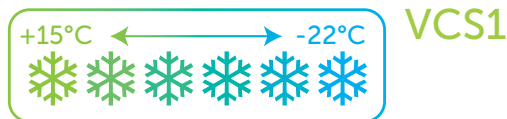
- Meat and fish prep and storage
- Deli and larder prep and storage
- Pastry and pasta prep and storage
- Dessert prep and storage
- Point of use bulk storage
- Frozen storage by the deep fryer
- Mise en Place prep and garnish storage

Operational Benefits

- Reliable: amazing temperature stability
- Green: extremely energy efficient
- Cuts food wastage
 - Food does not dehydrate
 - No freezer burn or ice crystals
 - No condensation on the food
- Ergonomically efficient
- Minimal maintenance costs
- Quick and easy to clean
- Robust and reliable

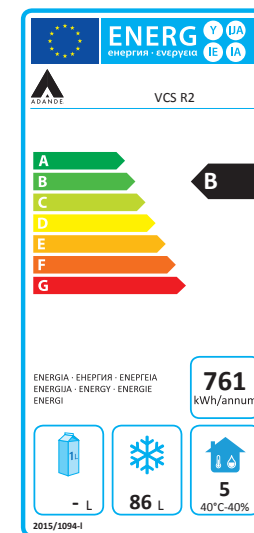
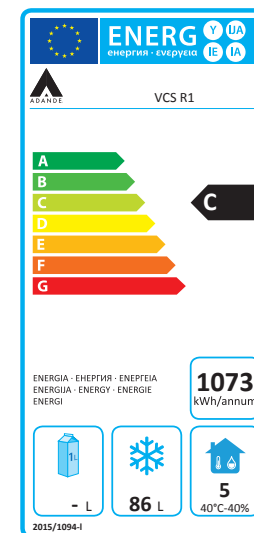
The new EU Eco Design regulation will ensure that newly produced professional refrigerators and freezers will have to fulfil minimum energy efficiency requirements as of 1st July 2016. This will make understanding energy efficiency much simpler for consumers and will accelerate the growing shift in the market toward sourcing more energy efficient products

ADANDE® SIDE ENGINE UNIT (VCS)



VCS R1
R404A

VCS R2
R600a



Energy rating per drawer module

Tested independently!



Worktop (Load Bearing)

VCS2



Cover Top (Non Load Bearing)

VCS3



Heat Shield Worktop

VCS1/CHS



Cover Top (Non Load Bearing)

VCS1/CT