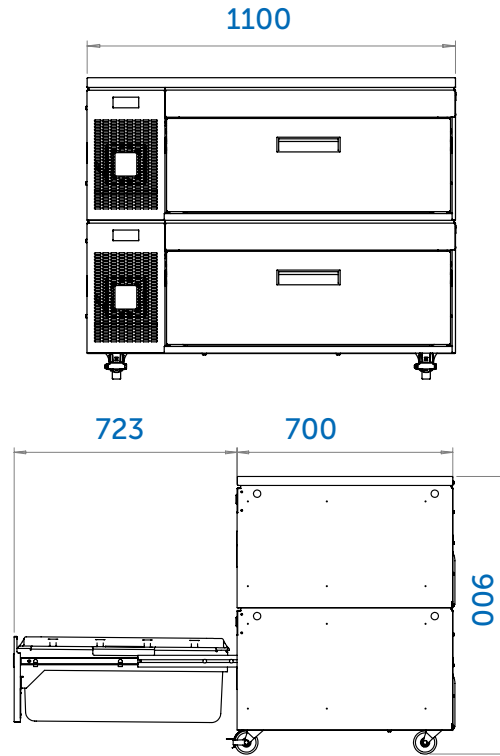
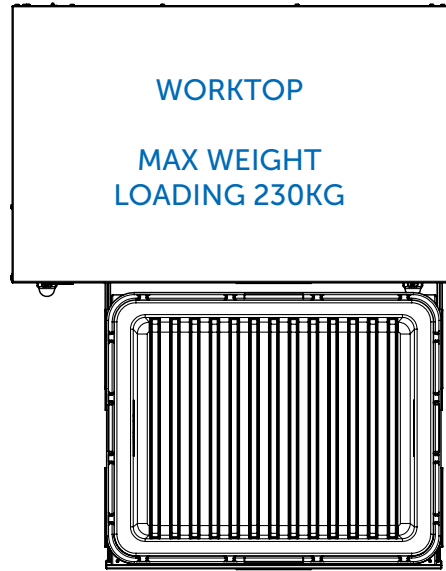


Dimensions |
Elevation & Plan View



Fridge to Freezer.
Each drawer is switchable in minutes. Accurate and stable at any temperature. (-22°C to +15°C)



Storage Capacity Per Drawer
4 x 1/1 GN Pans
100 mm Deep or equivalent



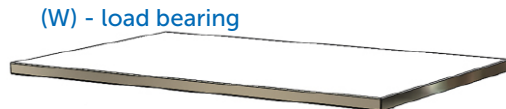
Solid worktops on VCS & VCR units can be extended, to accommodate larger items of equipment, and/or to provide a storage void under the worktop

Seamless stainless steel double worktops (DW) can be fitted to a pair of two drawer VCS & VCR counter units

Dimensions for **VCS2/CW**

OPTIONS

Top and Base |
Worktops and Castors



	Standard Castors		Small Castors		Locking Roller Base		Small Locking Rollers	
Finished Height & Load Bearing Weight with Worktop (W)	900 mm	VCS2/CW	879 mm	VCS2/SCW	856 mm	VCS2/RW	846 mm	VCS2/SRW
	230 kg		0 kg		225 kg		225 kg	
(R1) REFRIGERANT R404A								
(R2) REFRIGERANT R600a								
(BC) BLAST CHILL AVAILABLE								

CLIMATE TESTING: Tested to Climate Class 4 (30°C and 55% relative humidity) for temperature and energy consumption
Tested to Climate Class 5 (40°C and 40% relative humidity) for temperature
MAINS: 230 Vac 50 Hz also 60 Hz available

Applications

- Meat and fish prep and storage
- Deli and larder prep and storage
- Pastry and pasta prep and storage
- Dessert prep and storage
- Point of use bulk storage
- Frozen storage by the deep fryer
- Mise en Place prep and garnish storage

Operational Benefits

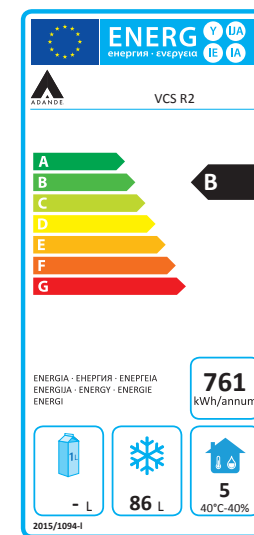
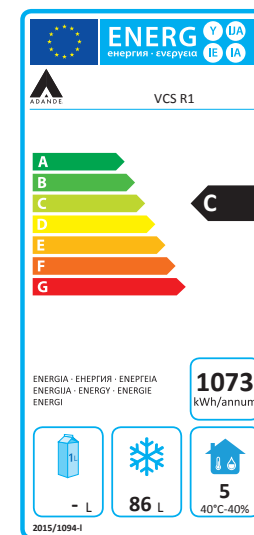
- Reliable: amazing temperature stability
- Green: extremely energy efficient
- Cuts food wastage
 - Food does not dehydrate
 - No freezer burn or ice crystals
 - No condensation on the food
- Ergonomically efficient
- Minimal maintenance costs
- Quick and easy to clean
- Robust and reliable

ADANDE® Prep Stations (VCS)



VCS R1
R404A

VCS R2
R600a



Energy rating per drawer module

Tested independently!

The new EU Eco Design regulation will ensure that newly produced professional refrigerators and freezers will have to fulfil minimum energy efficiency requirements as of 1st July 2016. This will make understanding energy efficiency much simpler for consumers and will accelerate the growing shift in the market toward sourcing more energy efficient products